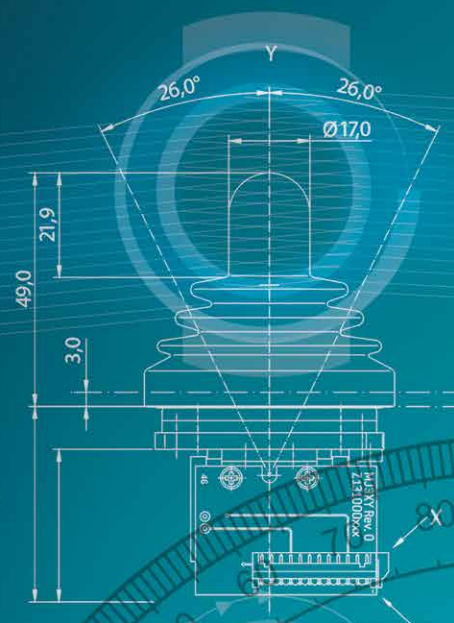




JOYSTICKS

Product Range



▶ MJ-1L



▶ MJ-2K



▶ MJ-3K



▶ MJ-4K

USA

FIRST IN SENSORS

metallux USA, Inc.

METALLUX-JOYSTICKS

MJ-2K CP OM ANALOG 1- AND 2-AXIS INDUSTRIAL JOYSTICK



Mechanics	Technology	Operating voltage	Output signal 1	Output signal 2	Dimensions/ number of axis	Options	Protection class
> 5 mio. life cycles	Potentiometer, conductive plastic analog	3 – 30 V, max. 3 mA	10 – 90 % of operating voltage, center contact, voltage individual on request	Directional contact 1-0-1	Grip length ca. 49 mm/ d= 17 mm, platform 48 x 48 mm, installation depth < 41 mm/1, 2 axis	Push button in the grip, cross gate	IP 66 (higher on request)

Specifics: assembly from the top, light weight < 100 g, robust, compact

MJ-2K CP OM DIGITAL 1- AND 2-AXIS INDUSTRIAL JOYSTICK



Mechanics	Technology	Operating voltage	Output signal 1	Output signal 2	Dimensions/ number of axis	Options	Protection class
> 3 mio. life cycles	Digital sensor, conductive plastic, mechanical notches	3 – 30 V, max. 3 mA	Digital, up to 1 – 5 steps/half axis, center contact	Directional contact 1-0-1	Grip length ca. 49 mm/ d= 17 mm, platform 48 x 48 mm, installation depth < 41 mm/1, 2 axis	Push button in the grip, cross gate	IP 66 (higher on request)

Specifics: assembly from the top, light weight < 110 g, robust, compact, number of switch positions can be adjusted by end stops

MJ-2K CP OM ANALOG 3-AXIS INDUSTRIAL JOYSTICK



Mechanics	Technology	Operating voltage	Output signal 1	Output signal 2	Dimensions/ number of axis	Options	Protection class
XY: 5 mio. life cycles Z: > 3 mio. life cycles	Potentiometer, conductive plastic analog	3 – 30 V, max. 3 mA	10 – 90 % of operating voltage, center contact	Directional contact 1-0-1	Grip length ca. 59 mm/ d= 26.6 mm, platform 48 x 48 mm, installation depth < 62 mm/1, 2, 3 axis	Redundant analog signal per axis	IP 66 (higher on request)

Specifics: assembly from the top, light weight < 125 g, robust, compact

MJ-2K CP OM DS ANALOG/DIGITAL 1- AND 2-AXIS INDUSTRIAL JOYSTICK/PUSH BUTTON SERIES IB



Mechanics	Technology	Operating voltage	Output signal 1	Output signal 2	Dimensions/ number of axis	Options	Protection class
> 5 mio. life cycles	Potentiometer, digital sensor, conductive plastic	3 – 30 V, max. 3 mA	10 – 90 % of operating voltage, digital 1 – 5 steps/half axis, center contact	Directional contact 1-0-1	Grip length ca. 55 mm/ d= 22 mm, platform 48 x 48 mm, installation depth < 62 mm/ 1, 2 axis	Cross gate	IP 66 (higher on request)

Specifics: Push button double sealed, assembly from the top, light weight < 110 g, compact, robust

MJ-2K CP OM DS ANALOG 1- AND 2-AXIS INDUSTRIAL JOYSTICK/PUSH BUTTON SERIES IB MRD 55



Mechanics	Technology	Operating voltage	Output signal 1	Output signal 2	Dimensions/ number of axis	Options	Protection class
> 3 mio. life cycles	Potentiometer, conductive plastic analog	3 – 30 V, max. 3 mA	10 – 90 % of operating voltage, center contact	Directional contact 1-0-1	Grip length ca. 64 mm/ d= 55 mm, platform 48 x 48 mm, installation depth < 62 mm/1, 2 axis	Other grip shapes, cross gate	IP 65 (higher on request)

Specifics: ergonomic grip shape, assembly from the top, light weight < 150 g, compact, robust

MJ-1L LINEAR 1-AXIS INDUSTRIAL JOYSTICK



Mechanics	Technology	Operating voltage	Output signal 1	Output signal 2	Dimensions/ number of axis	Options	Protection class
> 5 mio. life cycles	Potentiometer, conductive plastic analog	3 – 30 V, max. 3 mA	10 – 90 % or 0 – 100 % of operating voltage or reverse redundant	Directional contact or reverse redundant	Height 55 mm, platform 45 x 26 mm, installation depth < 19 mm incl. plug connector/1 axis	Longer grip, colour according to customer specifications, put 'n stay versions with or without detents	IP 66, additional protection cap (also available as soft control version)

Specifics: little installation space required, small mounting dimensions, lever with maximum grip, lightweight < 35 g

METALLUX-JOYSTICKS

MJ-3K ANALOG CP ANALOG 1- AND 2-AXIS INDUSTRIAL JOYSTICK



Mechanics	Technology	Operating voltage	Output signal 1	Output signal 2	Dimensions/ number of axis	Options	Protection class
> 5 mio. life cycles	Potentiometer, conductive plastic, analog	3 – 30 V, max. 3 mA	7.5 – 92.5 % of operating voltage	Directional contact 1-0-1	Grip length ca. 55 mm/ 65 mm platform d= 59 mm, installation depth < 32 mm/1, 2 axis	Push button in the grip/ USB-interface, Hall-Technology	IP 65 (higher on request)

Specifics: erg. grip shape, assembly from the top, light weight < 100 g, compact, robust, low power consumption

MJ-3K CP XYZ ANALOG 3-AXIS INDUSTRIAL JOYSTICK



Mechanics	Technology	Operating voltage	Output signal 1	Output signal 2	Dimensions/ number of axis	Options	Protection class
XY: 5 mio. life cycles Z: 3 mio. life cycles	Potentiometer, conductive plastic analog	3 – 30 V, max. 3 mA	7.5 – 92.5 % of operating voltage	Directional contact 1-0-1	Grip length ca. 62,5 mm d=26,6 mm platform d=59 mm installation depth < 45mm / 1,2,3 axis	MetaPot hermetically sealed membrane potentiometer, redundant output signal/axis	IP 65 (higher on request)

Specifics: saltwater-proof, compact, robust, weight < 130 g

MJ-3K DIGITAL CP DIGITAL 1- AND 2-AXIS INDUSTRIAL JOYSTICK



Mechanics	Technology	Operating voltage	Output signal 1	Output signal 2	Dimensions/ number of axis	Options	Protection class
> 3 mio. life cycles	Digital sensor, conductive plastic, mechanical notches	3 – 30 V, max. 3 mA	Up to 5-0-5 (five steps/half axis)	Directional contact 1-0-1	Grip length ca. 55 mm/ 65 mm platform d= 59 mm, installation depth < 32 mm/1, 2, 3 axis (3. axis conductive plastic analog)	Push button in the grip/ USB-interface	IP 65 (higher on request)

Specifics: number of switch positions can be adjusted by end stops, light weight < 110 g, compact, robust

MJ-4K JOYSTICK HALL-EFFECT



Mechanics	Technology	Operating voltage	Output signal 1	Output signal 2	Dimensions/ number of axis	Options	Protection class
> 5 mio. life cycles	Hall-Effect	5 V	0.5 – 4.5 V	optional: 0.5 – 4.5 V, reverse redundant	Grip length ca. 52 mm platform 45 x 45 mm, installation depth < 20 mm	Various grip designs, other output signals	IP 65

Specifics: robust against vibration, low installation depth, with closed gaiter handle length: 57 mm

SPECIAL FEATURES AND GENERAL OPTIONS:

Robust, compact, light weight, various sensor technologies available, USB-interface, cross gate, customer-specific grips, low installation depth, little installation space required, various electrical connections available as standard

www.metallux-usa.com

Specifications are subject to change without notice.
© www.metallux.de 06/2020



METALLUX USA, INC.

2340 Brighton Henrietta
Town Line Road, Suite 4
Rochester, NY 14623 | USA

PHONE: +1 (585)360 - 0054
FAX: +1 (866)429 - 0360
E-mail: info@metallux-usa.com

System Certification
to ISO 9001:2015