

THUMB JOYSTICK MJ-T10

The MJ-T10 is one of the smallest 2-axis, redundant industrial joysticks in Hall technology.

Different limiters are available.

Its dimensions: total length approx. 25 mm, diameter approx. 18 mm, installation depth approx. 13 mm

Advantages

- Extremely small joystick
- Contactless Hall technology
- Redundant output signal

Application examples

- Control element in hand joysticks
- Control element in armrests
- Radio remote controls
- Off-highway vehicles



Electrical data	
Sensor technology	Hall effect
Supply voltage	3.3 V to 5 V
Tolerance center position	± 0.25 VDC
Tolerance full travel	± 0.2 VDC
Output options	0.5–4.5 V ratiometric Redundant or reverse redundant SPI PWM
Resolution	16 bit
Total current consumption	Typ. 8 mA, max. 16 mA

Electrical connection	
	Single wires, approx. 200 mm

Environmental conditions	
Operating temperature	-20° C up to +85° C
Storage temperature	-40° C up to +85° C
Protection level acc. to IEC 60529	IP 67 above sealing area
EMC Emission	DIN EN 61000-4-3 80–6000 MHz 3 V/m 80% AM 1 kHz Criterion A
EMC immunity	DIN EN 61000-6-3 30–6000 Hz
ESD	DIN EN 61000-4-2*

* Expected values

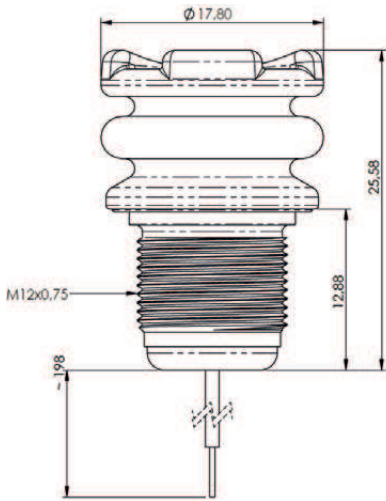
Mechanical data	
Axes	1 or 2
Dimensions	See drawings
Weight	15 g
Operation force	1.5 N ±0.5 N
Max. vertical force	< 100 N*
Max. horizontal force	< 70 N*
Deflection angle	± 22.5° each direction
Centering	Spring return
Mounting	M12 with lock nut screwed from below
Limiters	Round, guided feel Round, no guided feel Cross gate Single axis in X or Y
Lifetime	5 Mio. cycles

Material	
Housing	Stainless steel 1.4305
Rubber boot	Neoprene CR 40

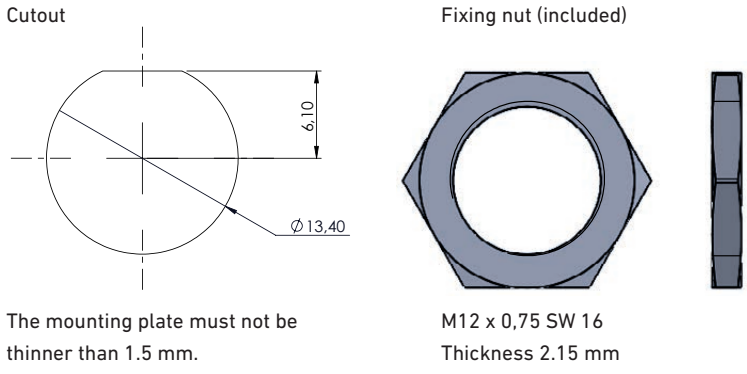
Handle	
Rubber boot	See drawings

THUMB JOYSTICK MJ-T10

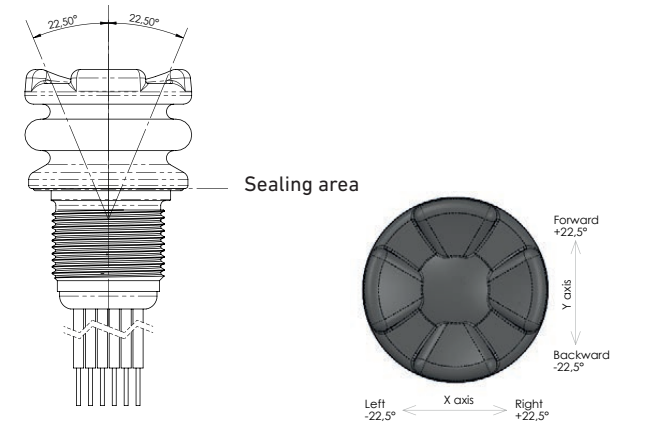
Drawings



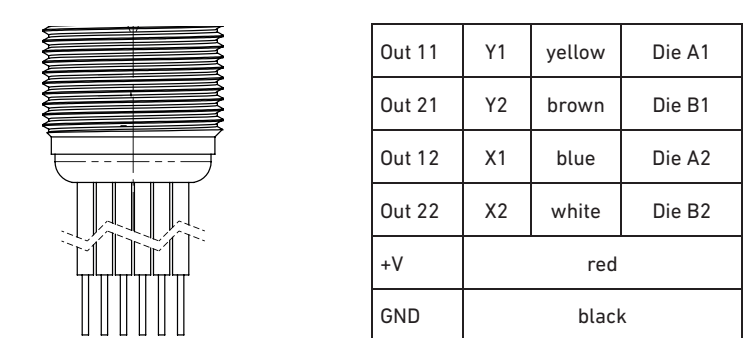
Mounting



Deflection

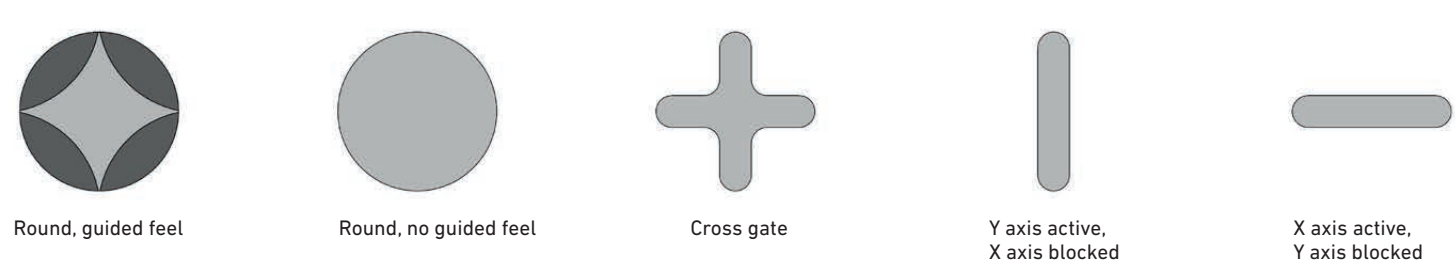


Electrical connection



All dimensions in mm

Limiter



Metallux cannot picture the customer's operating and application conditions and the customer's existing environmental influences. We therefore recommend that you carry out your own investigations into the planned use of the products under the actual operating conditions. We continuously improve our products and also update our data sheets regularly. In this respect, there may be changes in the specification. These changes will apply to orders received by us from the time of the update, unless otherwise agreed. Our products comply with Directive 2011/65/EU (RoHS) including Directive 2015/863/EU and Regulation (EC) No. 1907/2006 (REACH).